

SCALE 1 : 1

REVISIONS				
ZONE	REV	DESCRIPTION	DATE	APPROVED
	A	Initial Release	05-20-2002	RR
	B	Added connector pin assignment	05-28-2002	RR
	C	Added connector pin assignment. Changed START signal name to 12BITCVT. Added 12-bit and 4-wire I/O connection. Added sheet 3. Added dimensions for hole pattern and connector location.	06-14-2002	RR
	D	Added connector location dimensions. Increase the tube length.	10-22-2002	RR

NOTES:
1)

ATMOS ENGINEERING, INC

443 DEARBORN PARK ROAD , PESCADERO, CA 94060 650-879-1674 650-879-1675 FAX

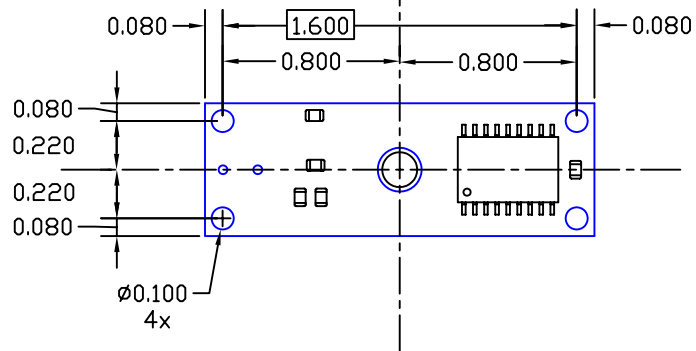
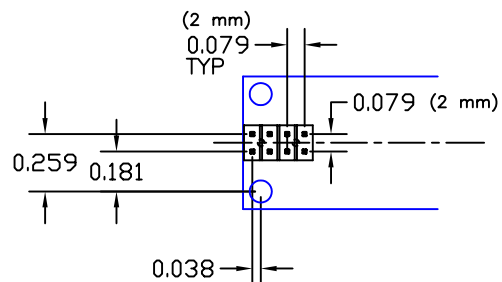
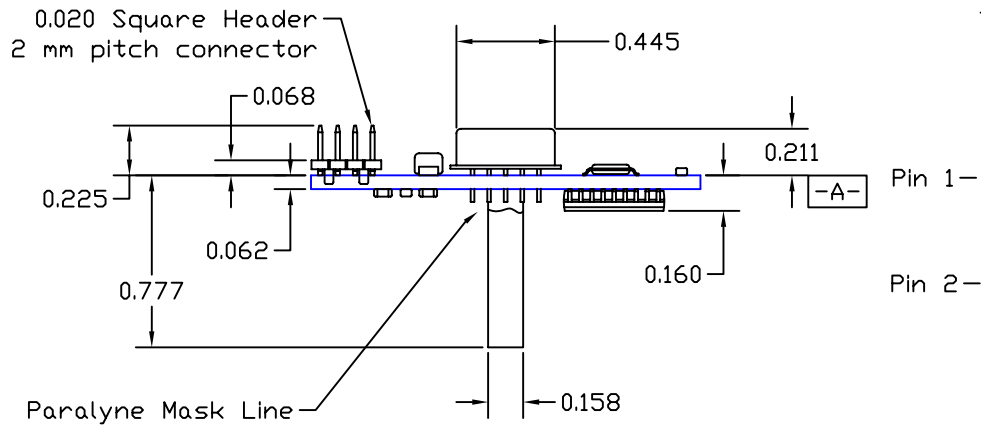
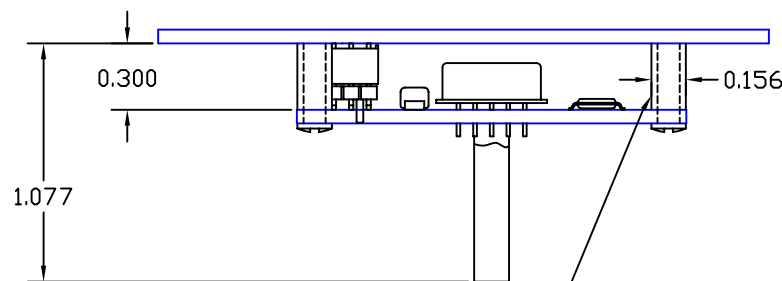
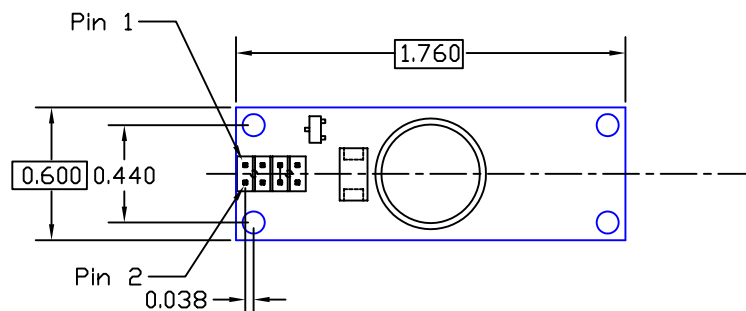
AT2640 OUTLINE DRAWING

SIZE	FSCM NO.	DWG NO.	REV
		840055	D
SCALE 1:1		SHEET 1 OF 3	





AT2640 Mounting

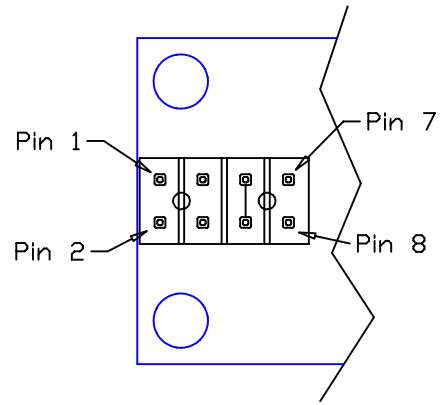
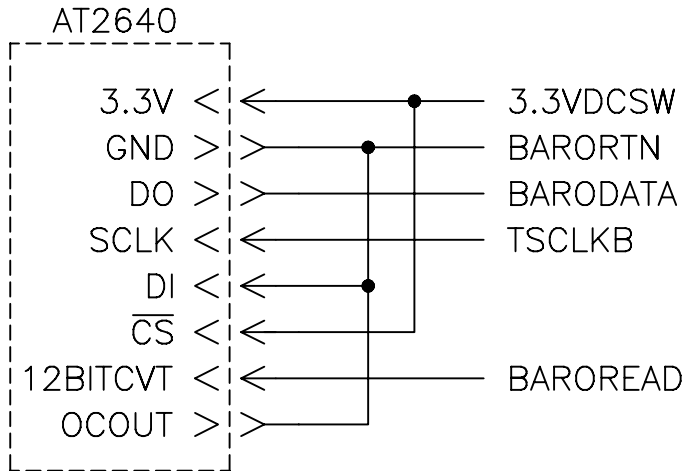


AT2640 OUTLINE DRAWING

SIZE	FSCM NO.	DWG NO.	REV
		840055	D
SCALE NTS		SHEET 2 OF 3	



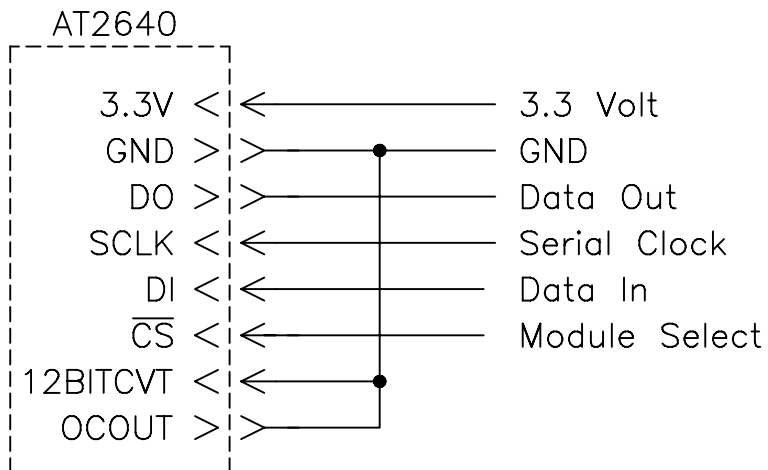
12-BIT I/O CONNECTION OUTPUT ONLY



	Signal	Description
1	3.3V	Positive supply
2	GND	Ground
3	DO	Data output
4	SCLK	Serial clock input
5	DI	Data Input
6	\overline{CS}	Module select input
7	12BITCVT	Conversion start for 12-bit I/O
8	OCOUT	Open collector output

Connect the data in line to ground if not used. The chip select line is active low and is pulled high internally with a 33 K Ohm resistor. Connect the open collector output to ground if not used. Connect the 12BITCVT line to ground if not used.

4-WIRE CONNECTION



AT2640 OUTLINE DRAWING

SIZE	FSCM NO.	DWG NO. 840055	REV D
SCALE	NTS	SHEET 3 OF 3	